

PRIMA ENT

ENT MEDICAL DIAGNOSTIC S



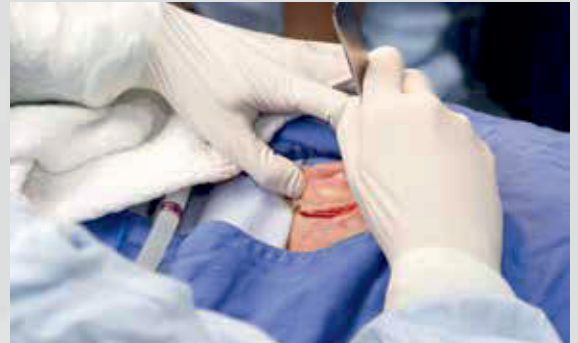
Visu ALIzE EVERY ANgLE oN DEMAND



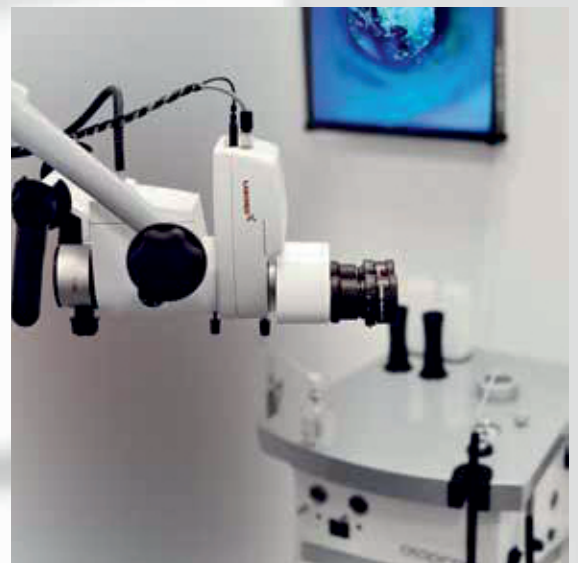
Fluid. Responsive. Accurate. These were a few of the principles guiding every phase in the design of the Prima ENT. With the choicest mechanical machined components, the Prima ENT has the grace and agility to adjust to every desired position on command. Well designed Apochromatic optics treated with LABoMED's proprietary *MaxLite™* coatings produce true-to-life sharp images with high depth, definition and contrast.

A highly efficient 50W LED illumination system produces over 60,000 hours of bulb life with Xenon-level light intensity, providing a bright white light for precision work. Housed within the swivel arm, this compact illumination ensures a light, well-balanced microscope for both hospitals and clinics.

A host of accessories makes the Prima ENT a versatile system. With a range of viewing tubes, objectives, eyepieces, microscope carriers and couplings, the Prima provides a convenient multi-user environment. The magnichanger microscope module can be controlled either manually or can be lifted with motorized focus.



Digital imaging is made simple with the LABoMED *iVu* series, offering an integrated high definition digital still capture and video solution. *ProLine* range of adapters, for DSLR and video cameras are also available.



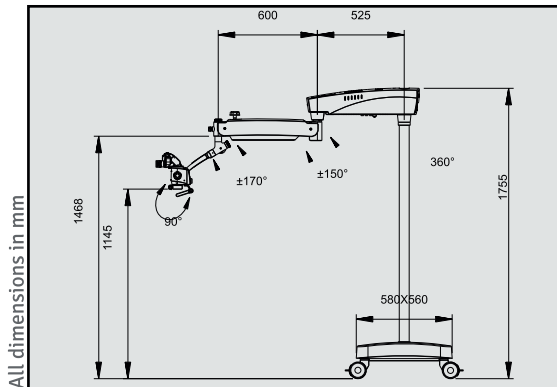
The Prima ENT can be mounted on a floor stand and moved from one room to the next for maximum utility. or with a wall mount, the unit will utilize less floor space and can be folded neatly against the wall when not in use.



With the integration of electronics in the arm, the Prima ENT is compact. The system is engineered for perfect image clarity, fluid movement and overall balance.

PRIMA ENT

Binocular tubes	straight viewing tube 90°, IPD 50-75 mm
Eyepieces	WF 10X/18 mm with eye guards and dioptre lock mechanism. Dioptre adjustment ± 5 mm optional: WF 12.5X/18 mm
Apochromatic magnichanger	5 step: 0.4X, 0.6X, 1.0X, 1.6X and 2.5X
Objective	f=250 mm; options: f=300 mm; f=400 mm
Fine focus	Manual, through objective adjustment knob optional: Motorized, range 40 mm
Light source	50W LED- 100k LuX
Built-in filters	green and yellow
Vertical movement of arm	550 mm with power saver light cut off at park position
Microscope carriers	120° carrier
Optional accessories	Assistant binocular attachment Beam splitter Ergonomic viewing tube, tiltable 0 - 210°, IPD 50-75 mm <i>ProLine</i> range of camera adapters <i>iVu s5</i> 5MP integrated digital camera module with on-device capture button and sD card; uSB v2.0 and HDMI ports



All dimensions in mm

DESCRIPTIoN	CoNFIguRATIoN	CATAL og No.
Prima ENT	Basic	6137000-000
Prima ENT	Motorized fine focus	6137000-100



Labo America, Inc.
920 Auburn Court
Fremont, CA 94538

Tel: (510) 445-1257
Fax: (510) 445-1317

E-mail: sales@laboamerica.com

www.laboamerica.com



Available at:

XAVIER Med Pvt. Ltd.

1-10-51/2, Road 6B, Dwarakapuram,
Dilsukhnagar, Hyderabad - 500060

www.buyxavier.com

Customer Care: 8008895680

Service: 8008895079